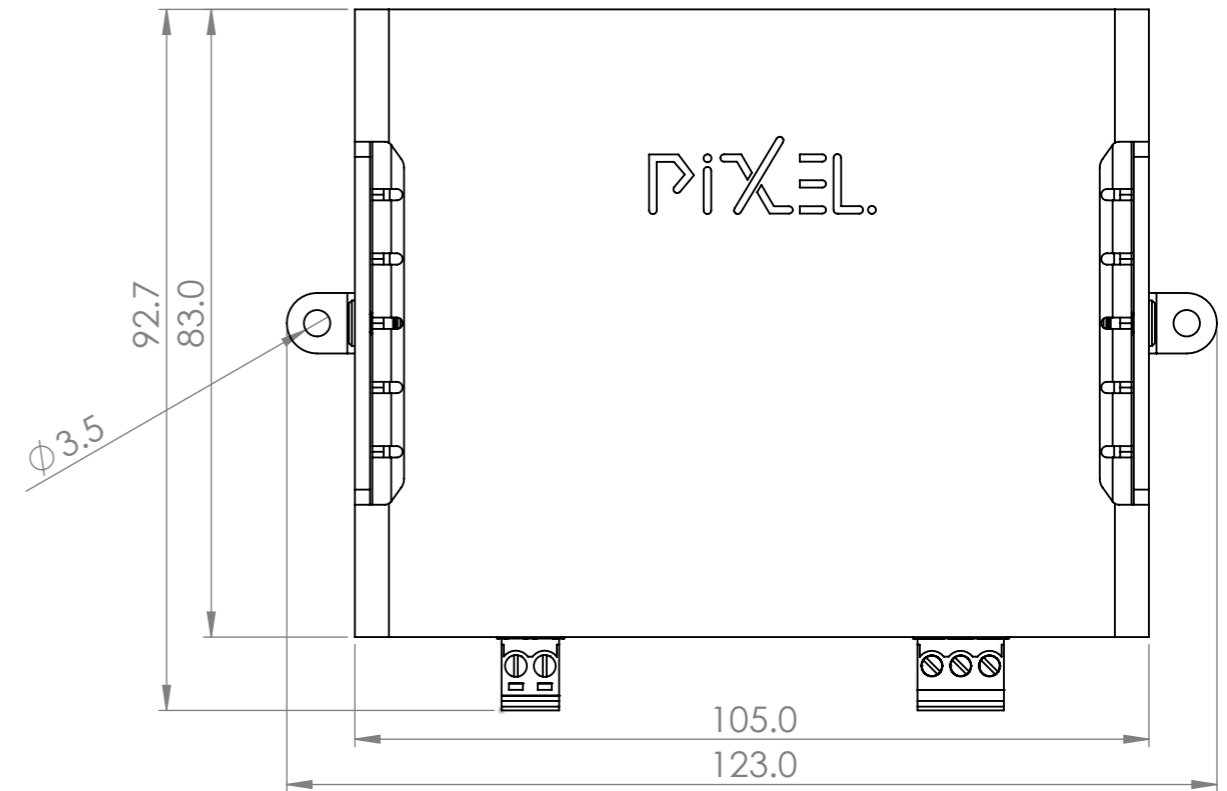
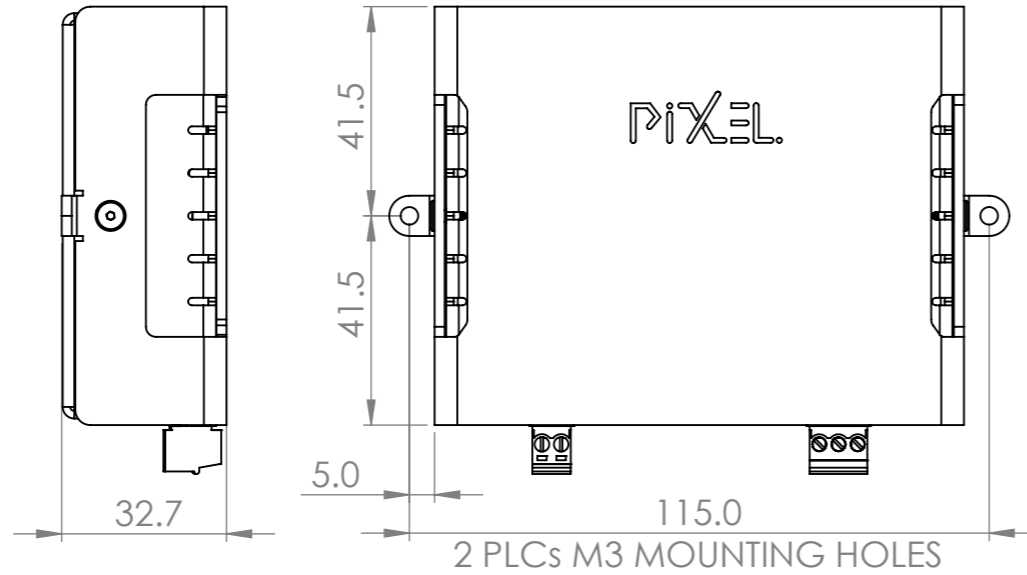
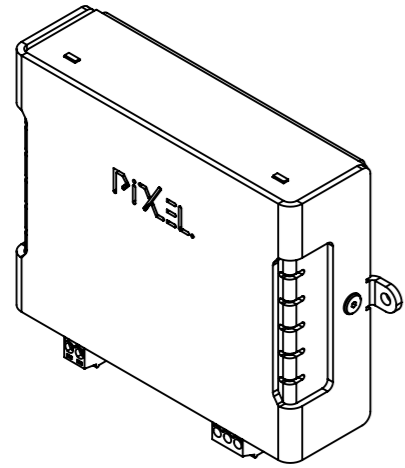


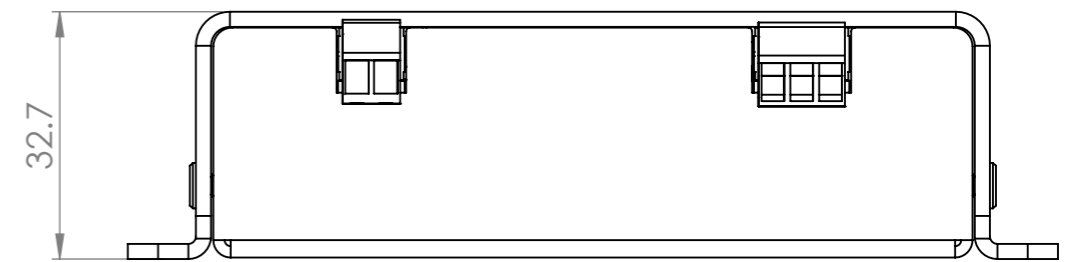
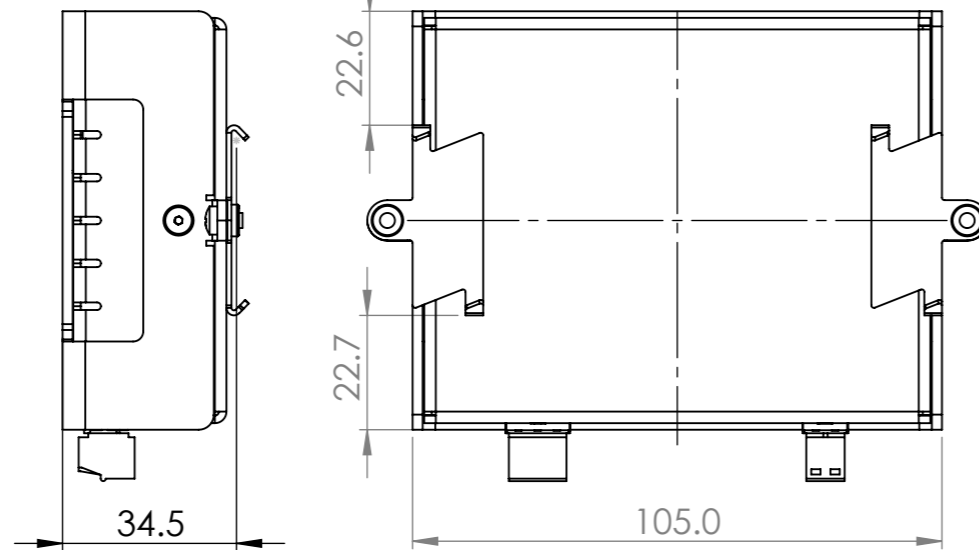
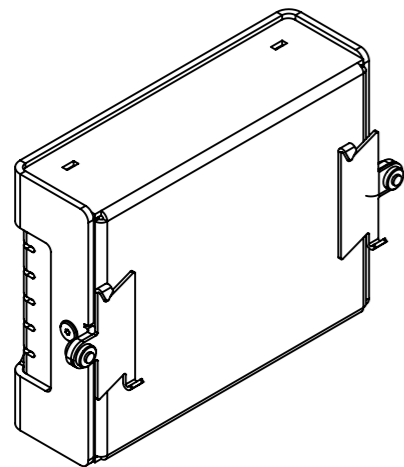
# MOUNTING OPTION

## ① STANDARD WALL-MOUNT



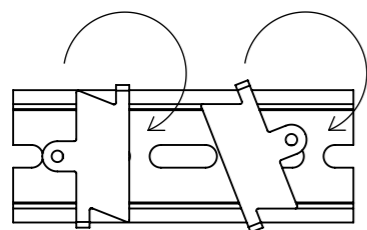
\*ADDITIONAL ITEM UPON REQUEST

## ② DIN-RAIL

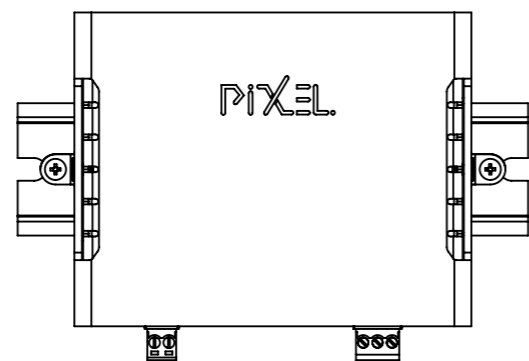


HOW TO...

### ② (A) SPIN



### (B) POSITION & SCREW



DO NOT SCALE DRAWING				TITLE:	<b>UPS-12V1A</b> GA DRAWING
REVISION 1.0.2324.0					
DRAWN	STEPHANIE N	16/06/2023	A.B.N 61 164 165 100 16 ALEXANDRA PARADE, CLIFTON HILL, VIC 3068 PH: +61 3 8347 9008 E: info@pixeltechnologies.com.au W: www.pixeltechnologies.com.au		DWG NO. 1
UNLESS OTHERWISE SPECIFIED: DIMENSIONS ARE IN MILLIMETERS FINISH: MATTE TOLERANCES: ±0.5MM					A3
WEIGHT:		SCALE: 1:1.5		SHEET 1 OF 1	