
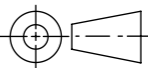


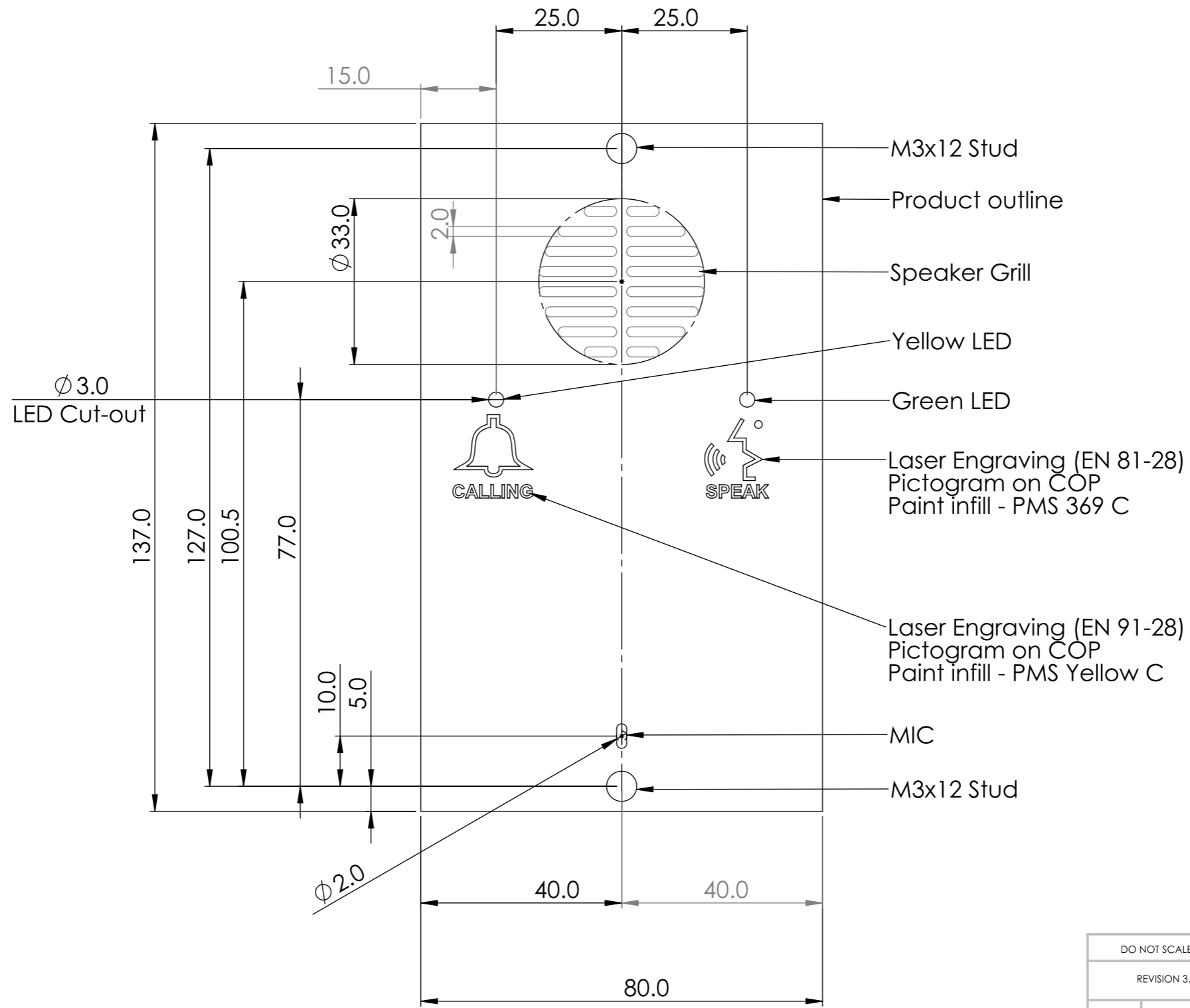
TO RETROFIT OLDER MODEL: EM-C83

STUD MOUNTING KIT REQUIRED:

CS_EM-BKT

Sold Separately**

DO NOT SCALE DRAWING			
REVISION 3.0.2437.0			
NAME	DATE	TITLE:	
DRAWN	STEPHANIE N	10/09/2024	EM-1 [3.0] DIMENSION DRAWING
APPV'D			
UNLESS OTHERWISE SPECIFIED: DIMENSIONS ARE IN MILLIMETERS FINISH: MATTE TOLERANCES: ±0.2mm			A.B.N 61 164 165 100 16 ALEXANDRA PARADE, CLIFTON HILL, VIC 3056 PH: +61 3 8843 0700 E: info@pixeltechnologies.com.au W: www.pixeltechnologies.com.au
WEIGHT:	SCALE: 1:1.5	DWG NO. 1	A3
		SHEET 1 OF 2	



DO NOT SCALE DRAWING			
REVISION 3.0.2437.0			
NAME	DATE	TITLE:	
DRAWN	STEPHANIE N	10/09/2024	EM-1 [3.0] CUT OUT STUDS
APPV'D			
UNLESS OTHERWISE SPECIFIED: DIMENSIONS ARE IN MILLIMETERS FINISH: MATTE TOLERANCES: ± 0.2 mm			A.B.N 61 164 165 100 16 ALEXANDRA PARADE, CLIFTON HILL, VIC 3056 PH: +61 3 8843 0700 E: info@pixeltechnologies.com.au W: www.pixeltechnologies.com.au
WEIGHT:	SCALE: 1:1	SHEET 2 OF 2	DWG NO. 2 A3