

# TVC GSM Gateway

## Installation Guide

Locate the 2G GSM gateway in a location where it can be connected to a local, suitably rated 240V electrical supply but also receive a signal from the SIM card network.

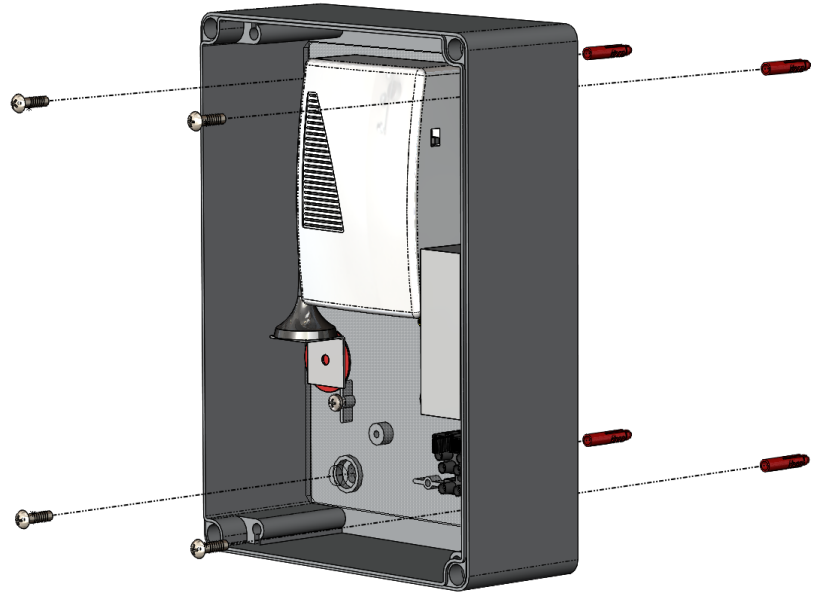
Secure the enclosure by first removing the front cover.

Mark the mounting location through the 4 mounting holes with a pencil.

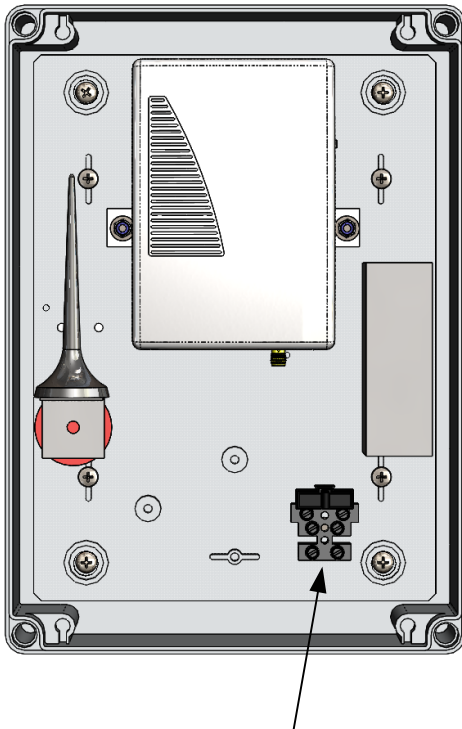
Secure the enclosure onto the mounting location using suitable fixings.

(Wood screws and wall plugs shown in image)

Suggested wood screw size:- Size4.5mm x 18mm & size 6mm wall plugs.



Fixings not provided



Connect the mains supply to the Fused terminal block

Make the necessary cable entry points in the side wall of the enclosure and secure the wiring with either cable gland or couplings depending on the site cable containment.

Connect the mains supply from a suitably rated permanent feed to the fused terminal block contained within the unit, shown in the adjacent image.

Insert the SIM Card, following the instructions in the GSM user guide.

Switch the 240V mains feed on.

Follow the user guide for checking signal network connection and signal strength.

If improvements need to be made to the signal strength with the aerial located in the enclosure, it will be necessary to remove the Aerial from it's transit bracket and extend the aerial outside of the enclosure .

THIS DRAWING IS THE EXCLUSIVE PROPERTY OF THAMES VALLEY CONTROLS LIMITED AND ITS CONTENTS MUST NOT BE COPIED OR REPRODUCED IN WHOLE OR PART OR COMMUNICATED TO ANY PERSON WITHOUT THE PRIOR WRITTEN CONSENT OF TVC LIMITED



DRG NO.  
4A6520028\_3

TITLE:  
Installation guide for TVC 2G GSM Gateway

			SHEET	1 of 1	ENG.
			SCALE	NOT TO SCALE	DRAWN
			SIZE	A4	CHECKED
2					
1	FIRST ISSUE	02/09/22	FILE REF.	Digicom in enclosure install guide.vsd	DATE 02/09/22
REV	CHANGE NO.	DATE			